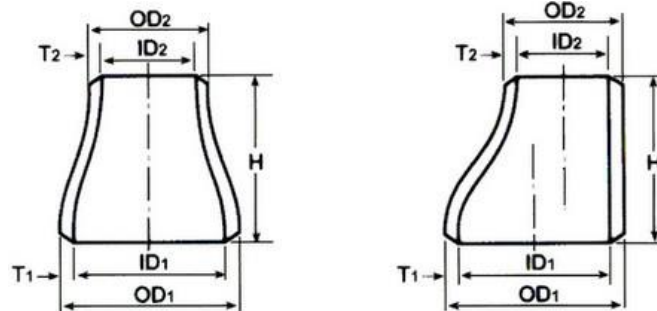


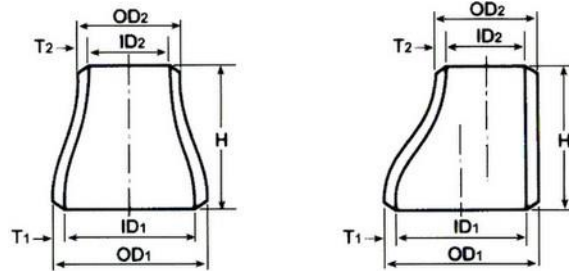
Concentric and Eccentric Reducer



ANSI B16.9 / MSS SP-75 (in mm)

Nominal Pipe Size (NPS)	Outside Diameter at Bevel		End-to-end	Nominal Pipe Size (NPS)	Outside Diameter at Bevel		End-to-end
	Large End	Small End			Large End	Small End	
3/4 x 1/2	26.7	21.3	38.1	8 x 6	219.1	168.3	152.4
3/4 x 3/8		17.3		8 x 5		141.3	
1 x 3/4	33.4	26.7	50.8	8 x 4		114.3	
1 x 1/2		21.3		8 x 3-1/2		101.6	
1-1/4 x 1	42.2	33.4	50.8	8 x 3		88.9	
1-1/4 x 3/4		26.7		8 x 2-1/2		73.0	
1-1/4 x 1/2		21.3		10 x 8	273.1	29.1	177.8
1-1/2 x 1-1/4	48.3	42.2	63.5	10 x 6		168.3	
1-1/2 x 1		33.4		10 x 5		141.3	
1-1/2 x 3/4		26.7		10 x 4		114.3	
1-1/2 x 1/2		21.3		12 x 10	323.9	273.1	203.2
2 x 1-1/2	60.3	48.3	76.2	12 x 8		219.1	
2 x 1-1/4		42.2		12 x 6		168.3	
2 x 1		33.4		12 x 5		141.3	
2 x 3/4		26.7		14 x 12	355.6	323.9	330.2
2-1/2 x 2	73.0	60.3	88.9	14 x 10		273.1	
2-1/2 x 1-1/2		48.3		14 x 8		219.1	
2-1/2 x 1-1/4		42.2		14 x 6		168.3	
2-1/2 x 1		33.4		16 x 14	406.4	355.6	355.6
3 x 2-1/2	88.9	73.0	88.9	16 x 12		323.9	
3 x 2		60.3		16 x 10		273.1	
3 x 1-1/2		48.3		16 x 8		219.1	
3 x 1-1/4		42.2		18 x 16	457.2	406.4	381.0
3-1/2 x 3	101.6	88.9	101.6	18 x 14		355.6	
3-1/2 x 2-1/2		73.0		18 x 12		323.9	
3-1/2 x 2		60.3		18 x 10		273.1	
3-1/2 x 1-1/2		48.3		18 x 8		219.1	
3-1/2 x 1-1/4		42.2		20 x 18	508.0	457.2	508.0
4 x 3-1/2	114.3	101.6	101.6	20 x 16		406.4	
4 x 3		88.9		20 x 14		355.6	
4 x 2-1/2		73.0		20 x 12		323.9	
4 x 2		60.3		20 x 10		273.0	
4 x 1-1/2		48.3		22 x 20	558.8	508.0	508.0
5 x 4	141.3	114.3	127.0	22 x 18		457.2	
5 x 3-1/2		101.6		22 x 16		406.4	
5 x 3		88.9		22 x 14		355.6	
5 x 2-1/2		73.0		22 x 12		323.8	
5 x 2		60.3		24 x 22	609.6	558.8	508.0
6 x 5	168.3	141.3	139.7	24 x 20		508.0	
6 x 4		114.3		24 x 18		457.2	
6 x 3-1/2		101.6		24 x 16		406.4	
6 x 3		88.9		24 x 16		355.6	
6 x 2-1/2		73.0		24 x 16		323.8	

Concentric and Eccentric Reducer



ANSI B16.9 / MSS SP-75 (in mm)

Nominal Pipe Size (NPS)	Outside Diameter at Bevel		End-to-end
	Large End	Small End	
26 x 24	660.4	609.6	609.6
26 x 22		558.8	
26 x 20		508.0	
26 x 18		457.2	
26 x 16		406.4	
26 x 14		355.6	
28 x 26	711.2	660.4	609.6
28 x 24		609.6	
28 x 22		559.0	
28 x 20		508.0	
28 x 18		457.2	
28 x 16		406.4	
28 x 14		355.6	
30 x 28	762.0	711.2	609.6
30 x 26		660.4	
30 x 24		609.6	
30 x 22		559.0	
30 x 20		508.0	
30 x 18		457.0	
30 x 16		406.4	
30 x 14		355.6	
32 x 30	813.0	762.0	609.6
32 x 28		711.0	
32 x 26		660.0	
32 x 24		610.0	
32 x 22		559.0	
32 x 20		508.0	
34 x 32	863.6	812.8	609.6
34 x 30		762.0	
34 x 28		711.0	
34 x 26		711.2	
34 x 24		660.4	
34 x 22		559.0	
36 x 34	914.0	864.0	609.6
36 x 32		813.0	
36 x 30		762.0	
36 x 28		711.0	
36 x 26		660.0	
36 x 24		610.0	
36 x 22		559.0	
38 x 36	965.0	914.0	609.6
38 x 34		864.0	
38 x 32		813.0	
38 x 30		762.0	
38 x 28		711.0	
38 x 26		660.0	
38 x 24		610.0	

Nominal Pipe Size (NPS)	Outside Diameter at Bevel		End-to-end
	Large End	Small End	
40 x 38	1016.0	965.0	609.6
40 x 36		914.0	
40 x 34		864.0	
40 x 32		813.0	
40 x 30		762.0	
40 x 28		711.0	
42 x 40	1067.0	1016.0	609.6
42 x 38		965.0	
42 x 36		914.4	
42 x 34		863.6	
42 x 32		812.8	
42 x 30		762.0	
42 x 28		711.0	
44 x 42	1117.6	1066.8	609.6
44 x 40		1016.0	
44 x 38		965.2	
44 x 36		914.4	
44 x 34		864.0	
44 x 32		813.0	
46 x 44	1168.4	1117.6	711.2
46 x 42		1066.8	
46 x 40		1016.0	
46 x 38		965.2	
46 x 36		914.0	
46 x 34		864.0	
48 x 46	1219.2	1168.4	711.2
48 x 44		1117.6	
48 x 42		1066.8	
48 x 40		1016.0	
48 x 38		965.0	
48 x 36		914.0	
52 x 48	1321.0	1219.0	711.2
52 x 46		1168.0	
52 x 44		1118.0	
52 x 42		1067.0	
52 x 40		1016.0	
56 x 52	1422.0	1321.0	711.2
56 x 48		1219.0	
56 x 44		1118.0	
52 x 40		1016.0	
60 x 56	1524.0	1422.0	711.2
60 x 52		1321.0	
60 x 48		1219.0	
60 x 44		1118.0	