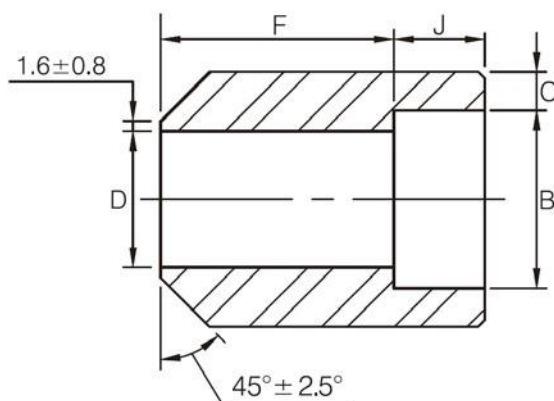


### Boss Socket Weld



DN	Nom. Pipe Size	B (Min)	D		J (Min)		F		C (Min)	
			3000Lb	6000Lb	3000Lb	6000Lb	3000Lb	6000Lb	3000Lb	6000Lb
6	1/8"	10.7	6.8	-	10.0	-	28.0	-	3.2	-
8	1/4"	14.1	9.2	-	10.0	-	32.0	-	3.3	-
10	3/8"	17.6	12.5	-	11.0	-	34.0	-	3.5	-
15	1/2"	21.8	15.5	11.8	13.0	13.0	38.0	38.0	4.1	5.2
20	3/4"	27.4	21.0	15.5	13.0	13.0	38.0	38.0	4.3	6.1
25	1"	34.1	26.6	20.7	16.0	16.0	35.0	35.0	5.0	7.0
40	1-1/2"	49.0	40.5	34.0	19.0	19.0	32.0	32.0	5.6	7.8
50	2"	61.0	52.0	43.0	22.0	22.0	29.0	29.0	6.1	9.5
65	2-1/2"	73.8	62.0	54.0	22.0	22.0	29.0	29.0	7.7	10.4
80	3"	89.7	78.0	66.0	22.0	22.0	29.0	29.0	8.3	12.2

(1) Dimensions in accordance with BS3799-1974.