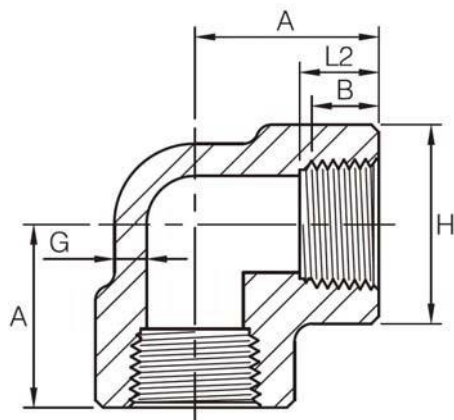


### Threaded 90° Elbow



DN	Nom. Pipe Size	Center to End A			Outside Diameter of Band H			Minimum Wall Thickness G			Length of Thread (Min)	
		2M	3M	6M	2M	3M	6M	2M	3M	6M	B <sup>(1)</sup>	L2 <sup>(1)</sup>
6	1/8"	21	21	25	22	22	25	3.18	3.18	6.35	6.4	6.7
8	1/4"	21	25	28	22	25	33	3.18	3.30	6.60	8.1	10.2
10	3/8"	25	28	33	25	33	38	3.18	3.51	6.98	9.1	10.4
15	1/2"	28	33	38	33	38	46	3.18	4.09	8.15	10.9	13.6
20	3/4"	33	38	44	38	46	56	3.18	4.32	8.53	12.7	13.9
25	1"	38	44	51	46	56	62	3.68	4.98	9.93	14.7	17.3
32	1-1/4"	44	51	60	56	62	75	3.89	5.28	10.59	17.0	18.0
40	1-1/2"	51	60	64	62	75	84	4.01	5.56	11.07	17.8	18.4
50	2"	60	64	83	75	84	102	4.27	7.14	12.09	19.0	19.2
65	2-1/2"	76	83	95	92	102	121	5.61	7.65	15.29	23.6	28.9
80	3"	86	95	106	109	121	146	5.99	8.84	16.64	25.9	30.5
100	4"	106	114	114	146	152	152	6.55	11.18	18.67	27.7	33.0

- (1) Dimension B is minimum length of perfect thread. The length of useful thread (B plus threads with fully formed roots and flat crests) shall not be less than L2 (effective length of external thread) required by American National Standard for pipe threads (ANSI / ASME B1.20.1).
- (2) 2M, 3M and 6M denote 2000Lb, 3000Lb and 6000Lb.
- (3) Dimension in accordance with ASME B16.11-2011.