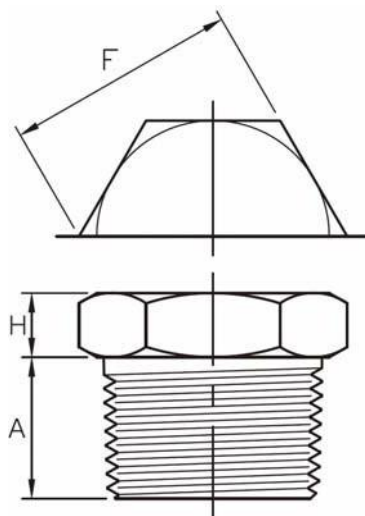


### Threaded Hex Head Plug



DN	Nom. Pipe Size	Length (Min) A	Width Flat (Nom.) F	Hex Height (Min) H
6	1/8"	10	11.11	6
8	1/4"	11	15.88	6
10	3/8"	13	17.46	8
15	1/2"	14	22.23	8
20	3/4"	16	26.99	10
25	1"	19	34.93	10
32	1-1/4"	21	44.45	14
40	1-1/2"	21	50.80	16
50	2"	22	63.50	18
65	2-1/2"	27	76.20	19
80	3"	28	88.90	21
100	4"	32	117.48	25

(1) Dimensions in accordance with ASME B16.11-2011.